

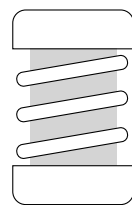
### General description

The AM series consist of metal spring insulators (low frequency absorbing component) ideal for insulating all kinds of machinery with low frequency (below 1 200 rpm).



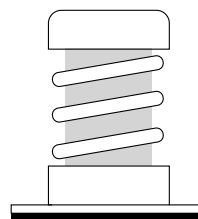
### Technical specification

- Cylindrical metal bushings which protect the outside of the spring at the ends. It furthermore incorporates a visco-elastic putty which prevents direct contact of the metal parts and promotes sound blocking.
- Low frequency isolators very indicated for HVAC installations
- Springs are protected with epoxy-polyester resin painting, resulting in high resistance to weathering
- M8 leveling screws can be supplied separately for leveling «C» type
- M12 leveling screws can be supplied separately for leveling «M» type
- Color coded for ease of identification



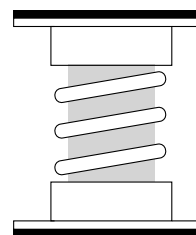
**C**

No base



**M**

With metallic base



**R**

With 2 metallic base

### Dynamic behaviour of our springs & rubbers

All our antivibration springs models have been tested in European Acoustical Laboratories in order to accomplish the EU Antivibration standard regulations. See Dynamic Behaviours results Exp n° 06/32006786



All our springs have a maximum deflection of 25 mm for the 5-125 series and 35 mm for the 150-550 series for the maximum load given.

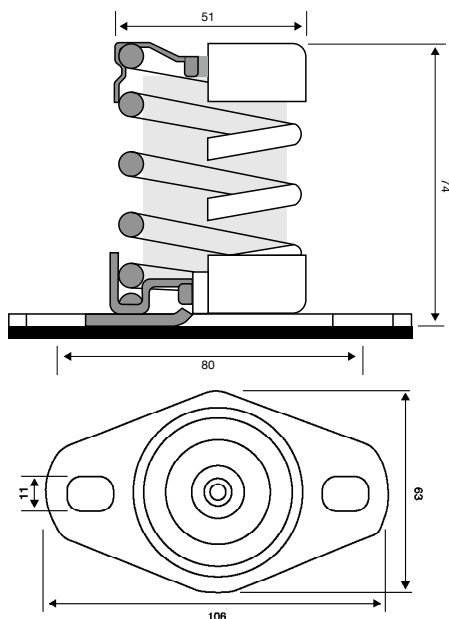
Our springs guarantee around 3 hz natural frequency at the maximum load given.

	AM C												
	5	15	25	50	75	100	125	150	200	250	350	450	550
Height (mm)	71	71	71	71	71	71	71	111	111	111	111	111	111
Min. load/kg (12mm)	2	8	14	16	39	46	66	71	86	112	150	193	236
Max. load/kg (25/35mm)*	5	15	25	50	75	100	125	150	200	250	350	450	550
Spring colour	BLACK	ORANGE	PURPLE	GREEN	BLEU	RED	PINK	GREEN	YELLOW	BROWN	GREY	ORANGE	BLACK

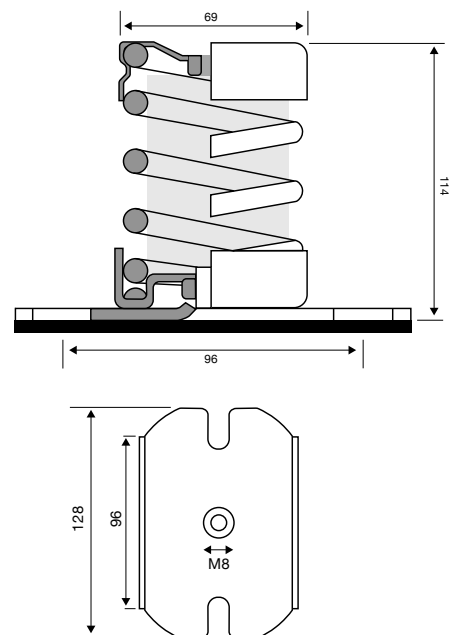
	AM M												
	5	15	25	50	75	100	125	150	200	250	350	450	550
Height (mm)	74	74	74	74	74	74	74	114	114	114	114	114	114
Min. load/kg (12mm)	2	8	14	16	39	46	66	71	86	112	150	193	236
Max. load/kg (25/35mm)*	5	15	25	50	75	100	125	150	200	250	350	450	550
Spring colour	BLACK	ORANGE	PURPLE	GREEN	BLEU	RED	PINK	GREEN	YELLOW	BROWN	GREY	ORANGE	BLACK

	AM R												
	5	15	25	50	75	100	125	150	200	250	350	450	550
Height (mm)	77	77	77	77	77	77	77	117	117	117	117	117	117
Min. load/kg (12mm)	2	8	14	16	39	46	66	71	86	112	150	193	236
Max. load/kg (25/35mm)*	5	15	25	50	75	100	125	150	200	250	350	450	550
Spring colour	BLACK	ORANGE	PURPLE	GREEN	BLEU	RED	PINK	GREEN	YELLOW	BROWN	GREY	ORANGE	BLACK

\*25 mm for all springs from 5 to 125 included, and 35 mm for all heavier springs from 150 to 550



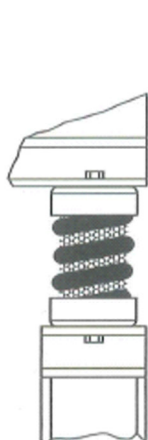
AM 5 / 125



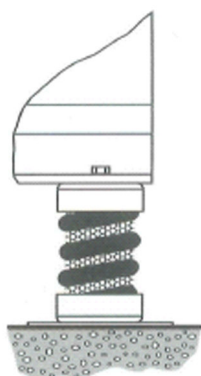
AM 150 / 550

Information contained herein is based on careful tests and experience. It reflects our knowledge and is for guidance purpose only. It is given in good faith and user should ensure that the product is fit for purpose before any application. The quoted values are average and should not be taken as maximum or minimum values for specific purposes. Manufacturer and distributor are not responsible for any non-recommended use or consequential damage.

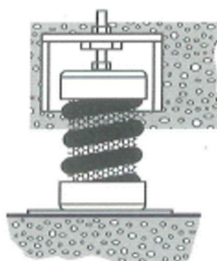
## Assembly



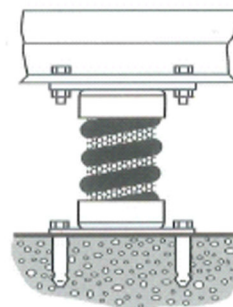
Version C



Version M

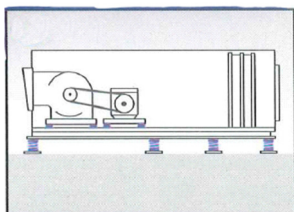


Version M  
with leveling

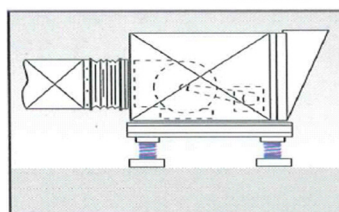


Version R

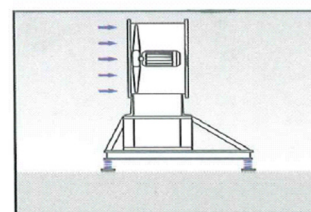
## Application



Air Handling Unit



Ventilation Cases



Axial fans