

General description

The **Rubber Mounts SG** are rubber-metal vibration absorbers, especially indicated for supporting machinery elastically, protecting the environment against the transmission of vibrations, impacts and structural noise.

They provide excellent insulation at medium and high frequencies (1500 rpm and above). It distributes the stresses better and thanks to the engraving of the base, it promotes grip and prevent the machine from pivoting.

The Rubber Mounts are supplied individually or in pack of 4 called **Airpack**.

The smaller rubber mounts are supplied only in packs of 4 and consist of :

- **Airpack 40** : 4 rubber mounts with threaded rod, 8 nuts, 4 washers
- **Airpack 60** : 4 rubber mounts with threaded insert, 1 threaded rod, 8 nuts, 4 washers

The larger rubber mounts are supplied individually and consist of :

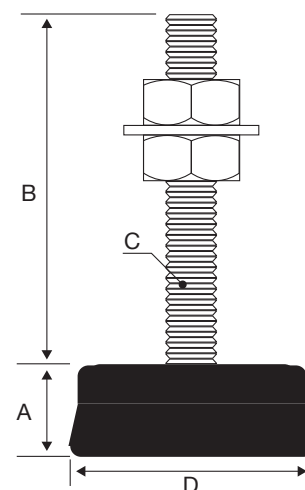
- **SG-70 and SG-90** : 1 rubber mount with threaded insert, 1 threaded rod, 2 nuts, 1 washer



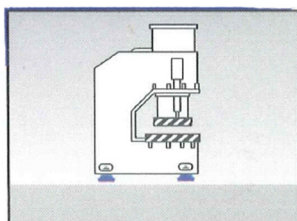
Technical specification

- Manufactured in NR (Natural Rubber) 55° Sh A.

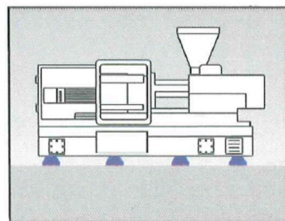
	SG 40	SG 60	SG 70	SG 90
A (mm)	17	22	26	35
B (mm)	45	75	80	100
C	M8	M10	M12	M16
D (mm)	48	57	74	108
Min. load (kg)	8	45	80	150
Max. load (kg)	70	150	300	800
Natural frequency Fn 3mm (Hz)	21	21	21	21
Natural frequency Fn 7mm (Hz)	12	12	12	12



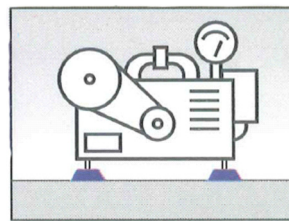
Application



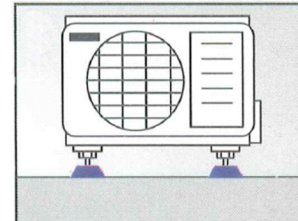
Machines & tools



Plastic & rubber injectors



Motors & Pump



Air conditioning