

**General description**

The Rubber Mounts AG35 and AG45 are rubber-metal vibration absorbers, especially indicated for elastic support of airconditioning units and small machines. They protect the environment against the transmission of vibration, impacts and structural noises. They are easy to install and economical.

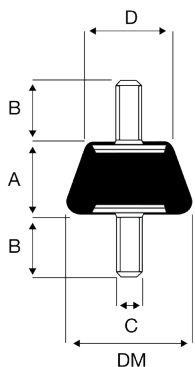
The Rubber Mounts AG35 and AG 45 are supplied in packs of 4 called **Instalpack**. They include :

- 4 rubber mounts - AG35 or AG45
- 8 nuts M8 zinc coated
- 8 washers M8 zinc coated



**Technical specification**

- Manufactured in NR (natural rubber) 55°Sh.A



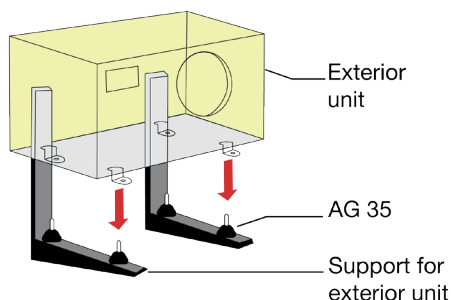
	A	B	C	D	DM
<b>AG 35</b>	19 mm / 3/4"	20mm / 0,78"	M8	25 mm / 0,98"	40 mm / 1,57"
<b>AG 45</b>	26 mm / 1,02"	20 mm / 0,78"	M8	31 mm / 1,22"	44 mm / 1,73"



AG 35/45

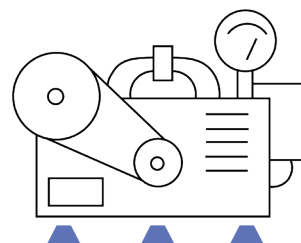
	AG 35				AG 45			
<b>Max. deflection/mm</b>	4				4			
<b>Deflexion (mm)</b>	1	2	3	4	1	2	3	4
<b>Load (kg)</b>	16	32	48	64	19	42	69	90
<b>Natural frequency Hz</b>	19,4	13,7	11,2	9,7	18,9	13,5	11,2	9,8

**Assembly**

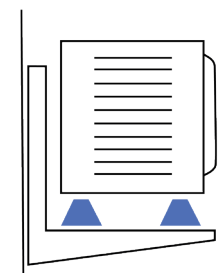


- Attach the support to the wall
- Fasten the vibration absorbers to the support
- Mount the unit onto the vibration absorbers
- Attach the vibration absorbers onto the holes in the unit

**Application**



Exterior air conditioning units



Motors and pumps

Information contained herein is based on careful tests and experience. It reflects our knowledge and is for guidance purpose only. It is given in good faith and user should ensure that the product is fit for purpose before any application. The quoted values are average and should not be taken as maximum or minimum values for specific purposes. Manufacturer and distributor are not responsible for any non-recommended use or consequential damage.