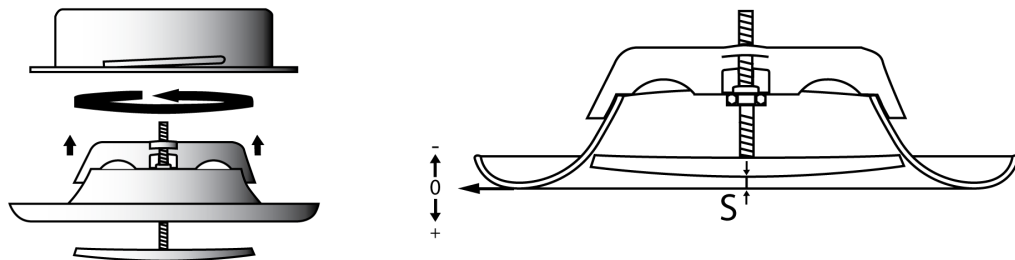
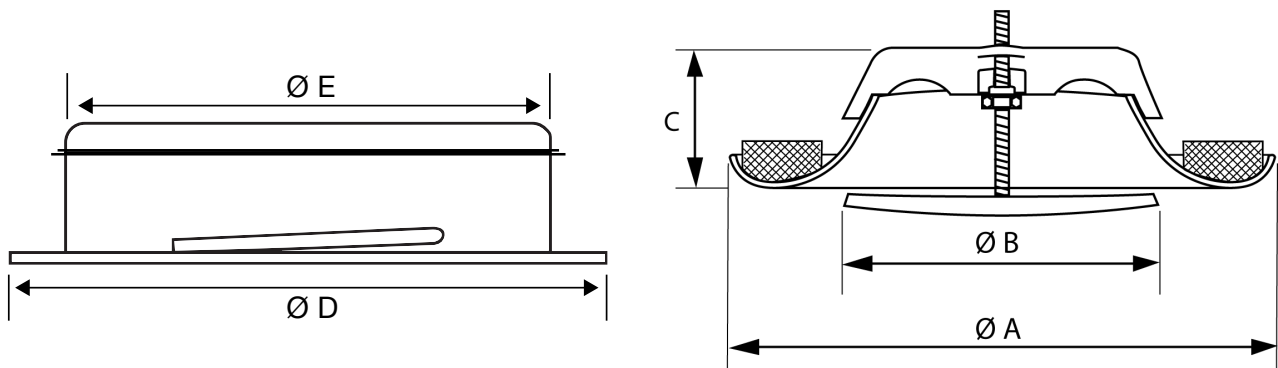


**General description**

- Exhaust steel air valve
- Adjustable inner core
- 50 mm deep galvanized steel mounting frame with lipseal
- Standard available colour : white RAL 9003 (matt)
- Available diameters : 80-200 mm



**Technical specification**



	A (mm)	B (mm)	C (mm)	D (mm)	E (mm)
<b>E-LAV 80</b>	116	60	38	105	79
<b>E-LAV 100</b>	140	76	38	125	99
<b>E-LAV 125</b>	166	100	45	150	124
<b>E-LAV 150</b>	203	120	50	175	149
<b>E-LAV 160</b>	210	130	50	186	159
<b>E-LAV 200</b>	250	160	56	225	199

Tolerance : +/- 3 mm except Dia E: Tolerance: +/- 1 mm

Information contained herein is based on careful tests and experience. It reflects our knowledge and is for guidance purpose only. It is given in good faith and user should ensure that the product is fit for purpose before any application. The quoted values are average and should not be taken as maximum or minimum values for specific purposes. Manufacturer and distributor are not responsible for any non-recommended use or consequential damage.

**Sound attenuation and airflow characteristics** according to «S» opening

Diameters	Airflow (m3/h)	Airflow (l/s)	Opening «S» (mm)	Delta Pt (Pa)	dBA
<b>DIA 80 MM</b>	40	11	3	35	22
			0	80	31
	60	17	9	40	30
			6	55	32
			3	100	38
<b>DIA 100 MM</b>	80	22.2	8	35	25
			6	55	30
			4	85	34
	100	27.8	10	58	33
			8	72	36
	120	33.3	10	68	36
<b>DIA 125 MM</b>	100	27.8	6	35	23
			3	50	26
			0	90	34
	140	39	15	28	25
			12	34	27
			9	45	28
			6	65	33
	180	50	3	100	36
			15	45	32
			12	50	33
			9	70	35
<b>DIA 160 MM</b>	160	41	10	25	20
			5	42	23
			2	70	30
			0	90	35
	200	56	10	40	24
			5	68	30
			2	95	35
	250	69	15	38	26
			10	59	30
5	95	36			
<b>DIA 200 MM</b>	300	83	20	25	25
			15	35	27
			12	50	30
			9	68	32
			6	100	35
	350	97	20	35	30
			15	55	33
			12	70	35
	400	111	20	50	34
15			65	36	

Information contained herein is based on careful tests and experience. It reflects our knowledge and is for guidance purpose only. It is given in good faith and user should ensure that the product is fit for purpose before any application. The quoted values are average and should not be taken as maximum or minimum values for specific purposes. Manufacturer and distributor are not responsible for any non-recommended use or consequential damage.