

**General description**

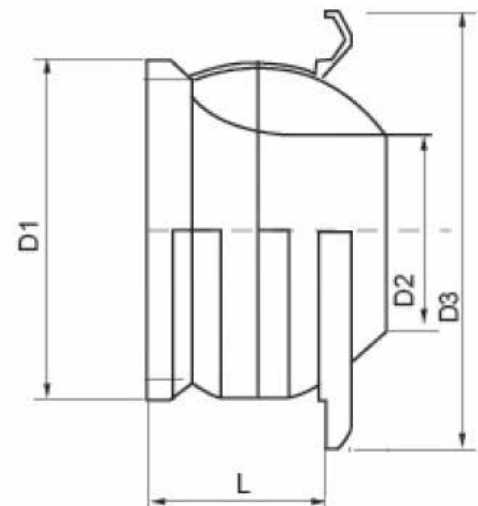
The **WABO** adjustable jet nozzle is used for air supply with large throw distance and low noise requirements. Ideal for large areas such as theaters, cinemas, concerts halls, train stations and airports. They can be installed both for horizontal and vertical air supply.



**Technical specification**

- Material: aluminium
- Adjustable discharge angle : 30°
- Available sizes: 100 - 630 mm
- Color : RAL 9003
- Natural Finish also available on request (DABO)

	<b>D1 (mm)</b>	<b>D2 (mm)</b>	<b>D3 (mm)</b>	<b>L (mm)</b>
<b>DABO / WABO 100</b>	98	45	139	63
<b>DABO / WABO 125</b>	122	61	172	72
<b>DABO / WABO 150</b>	147	75	200	83
<b>DABO / WABO 160</b>	157	80	210	91
<b>DABO / WABO 200</b>	197	105	265	107
<b>DABO / WABO 250</b>	247	128	314	135
<b>DABO / WABO 315</b>	312	165	390	174
<b>DABO / WABO 350</b>	347	185	433	186
<b>DABO / WABO 400</b>	397	210	495	218
<b>DABO / WABO 450</b>	447	235	559	235
<b>DABO / WABO 500</b>	497	256	622	259
<b>DABO / WABO 630</b>	625	323	779	335



Information contained herein is based on careful tests and experience. It reflects our knowledge and is for guidance purpose only. It is given in good faith and user should ensure that the product is fit for purpose before any application. The quoted values are average and should not be taken as maximum or minimum values for specific purposes. Manufacturer and distributor are not responsible for any non-recommended use or consequential damage.