

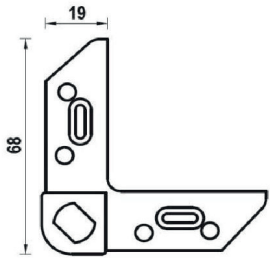
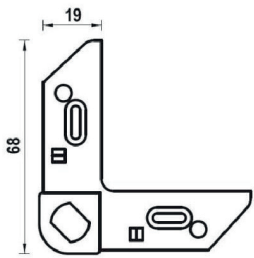
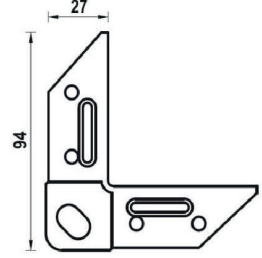
General description

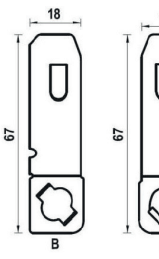
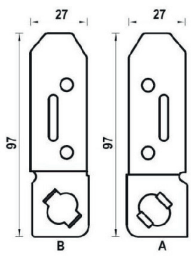
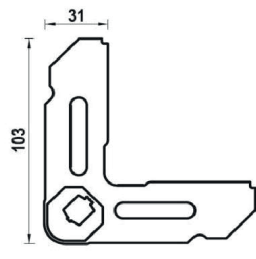
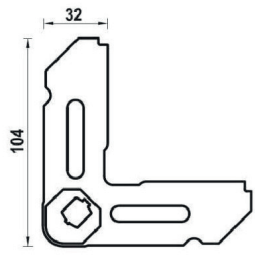
The Corners are necessary elements for producing the connecting frames for rectangular ductwork.

- Allows great tightness, stability and ease of assembly.



Technical specification

	A-Hi20	B-Hi20	Hi30
			
Material	Steel, Zinc plating	Steel, Zinc plating	Steel, Zinc plating
Dimensions	68 x 19 mm	68 x 19 mm	94 x 27 mm
Thickness	2 mm	2 mm	3 mm

	E20-PAR-ST	E30-PAR-ST	TDC	TDF
				
Material	Steel, Zinc plating	Steel, Zinc plating	Galvanized steel	Galvanized steel
Dimensions	67 x 18 mm	97 x 27 mm	103 x 31 mm	104 x 32 mm
Thickness	2 mm	3 mm	1,5 mm	1,5 mm

Information contained herein is based on careful tests and experience. It reflects our knowledge and is for guidance purpose only. It is given in good faith and user should ensure that the product is fit for purpose before any application. The quoted values are average and should not be taken as maximum or minimum values for specific purposes. Manufacturer and distributor are not responsible for any non-recommended use or consequential damage.