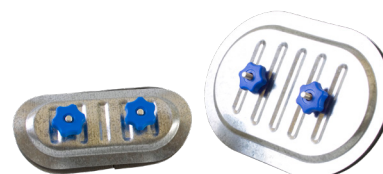


General description

The access doors for rectangular ducting (FAD-SS) and for round ducting (CAD-SS) consist of two panels connected between themselves with two screws, springs and knobs. The inner panel will be slid inside the duct, and the outside panel will then be compressed by tightening both knobs.

Access doors allow easy admittance to the ventilation ducting for the purpose of inspection and cleaning.



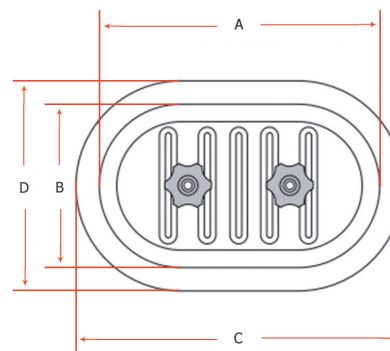
Technical specification

PANELS	Material	Stainless steel 304 or 316
SEALING GASKET	Type	High quality EPDM gasket
	Dimension	6 mm x 15 mm
	Density	+/- 33 Kg / m ³
COMPONENTS COMPRESSION SYSTEM	Screws	2 stainless steel 304/316 screws: M8x40 or M10x40 crimped on internal panel
	Springs	2 compressions springs
	Knobs	2 plastic knobs with metal insert M8 or M10

Self-adhesive template comes with each door, for accurate cut-out

Sizes

Door type	Nominal sizes (mm)	Actual Dimensions (mm)			
		A	B	C	D
18	180 x 80	170	72	197	101
20	200 x 100	200	100	219	117
25	250 x 150	250	150	274	186
30	300 x 200	300	200	329	228
42	400 x 200	380	180	412	212
40	400 x 300	380	280	403	303
50	500 x 400	500	400	532	432



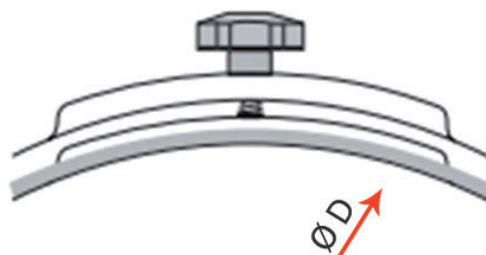
A & B = opening dimensions
C & D = external dimensions

Information contained herein is based on careful tests and experience. It reflects our knowledge and is for guidance purpose only. It is given in good faith and user should ensure that the product is fit for purpose before any application. The quoted values are average and should not be taken as maximum or minimum values for specific purposes. Manufacturer and distributor are not responsible for any non-recommended use or consequential damage.

CAD selection chart for round ducting

Door size Duct dia.	180x80 mm	250x150 mm	300x200 mm	400x300 mm	500x400 mm	600x450 mm	Recommended door curving diameter (mm)
100 mm	Standard	+	-	-	-	-	100
125 mm	Standard	+	-	-	-	-	125
150 mm	+	+	-	-	-	-	150
160 mm	Standard	Standard	-	-	-	-	160
180 mm	+	+	-	-	-	-	180
200 mm	Standard	Standard	-	-	-	-	200
224 mm	+	+	-	-	-	-	224
250 mm	+	Standard	-	-	-	-	250
280 mm	+	+	-	-	-	-	280
300 mm	+	+	-	-	-	-	300
315 mm	-	Standard	Standard	-	-	-	315
355 mm	-	Standard	Standard	-	-	-	355
400 mm	-	Standard	Standard	Standard	-	-	400
450 mm	-	Standard	Standard	Standard	-	-	450
500 mm	-	Standard	Standard	Standard	-	-	500
550 mm	-	-	+	+	-	-	550
560 mm	-	-	+	Standard	-	-	560
600 mm	-	-	+	+	-	-	600
630 mm	-	-	+	Standard	Standard	-	630
700 mm	-	-	-	+	+	-	700
710 mm	-	-	-	Standard	Standard	Standard	710
800 mm	-	-	-	Standard	Standard	Standard	800
850 mm	-	-	-	+	+	+	850
900 mm	-	-	-	Standard	Standard	Standard	900
1000 mm	-	-	-	+	Standard	Standard	1000
1120 mm	-	-	-	+	Standard	Standard	1120
1250 mm	-	-	-	+	Standard	Standard	1250
1400 mm	-	-	-	-	-	Standard	1400
1500 mm	-	-	-	-	-	Standard	1500
1600 mm	-	-	-	-	-	Standard	1600
1800 mm	-	-	-	-	-	Standard	1800

+ : Available on request
 - : Not available



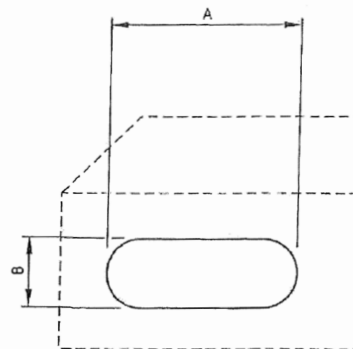
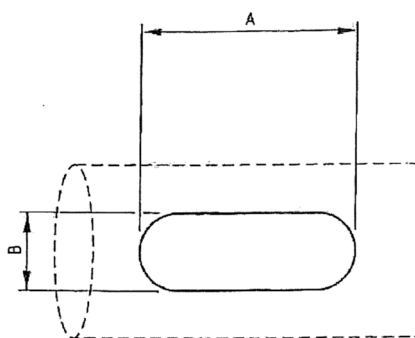
Information contained herein is based on careful tests and experience. It reflects our knowledge and is for guidance purpose only. It is given in good faith and user should ensure that the product is fit for purpose before any application. The quoted values are average and should not be taken as maximum or minimum values for specific purposes. Manufacturer and distributor are not responsible for any non-recommended use or consequential damage.

Recommendations (based on EN 12097)

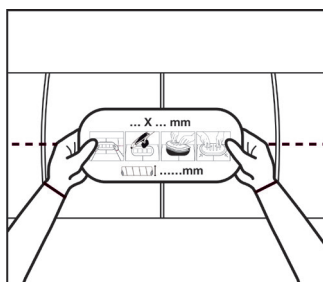
Access door needs to be fitted :

- before and after every fitting (dampers, fire dampers, filters, duct fans, duct heaters,...)
- after more than one change of direction of more than 45° as from the access door
- after more than one change of airflow as from the access door
- at least every 7,5 m

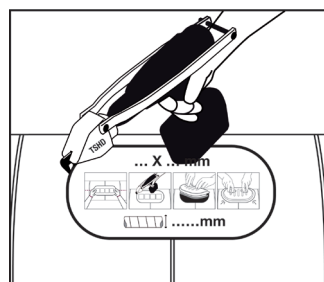
ROUND DUCTING (CAD)		RECTANGULAR DUCTING (FAD)	
Nominal duct diameter (mm)	Minimal size of access door (mm) A x B	Width of duct where access door is fitted (mm) S	Minimal size of access door (mm) A x B
$100 \leq D < 200$	180 x 80	$S \leq 200$	180 x 80
$200 \leq D \leq 315$	250 x 150	$200 < S \leq 400$	300 x 200
$315 < D \leq 500$	300 x 200	$400 < S \leq 500$	400 x 300
$500 < D$	400 x 300	$500 < S$	500 x 400



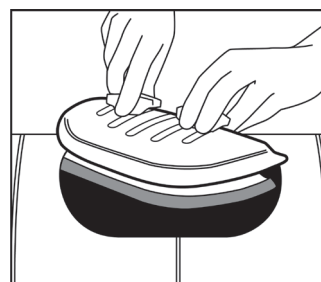
Application



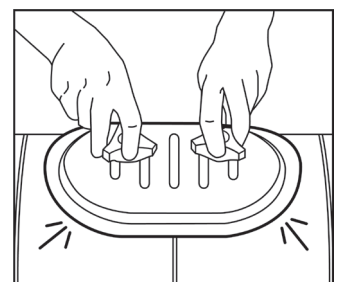
1. Stick self-adhesive template on to duct (a template is provided with each door)



2. Using Turbo Shears or similar cut around template taking care not to exceed the size of the template (the door will function correctly when cut to template size +0 mm -3 mm).



3. Install door by unscrewing the hand knobs until thread is level with top of bolt. Using both hands place the door in the hole at an angle.



4. Turn straight and pull out slightly to align. Then tighten knobs.

Information contained herein is based on careful tests and experience. It reflects our knowledge and is for guidance purpose only. It is given in good faith and user should ensure that the product is fit for purpose before any application. The quoted values are average and should not be taken as maximum or minimum values for specific purposes. Manufacturer and distributor are not responsible for any non-recommended use or consequential damage.