





**General description**

Simple, strong and efficient lever for round shafts 12,54 mm (1/2") (75 series) or 12 mm (85 series). For opposed or parallel multiblade dampers. The position of the damper is indicated through a quadrant frame with the + and - symbols.

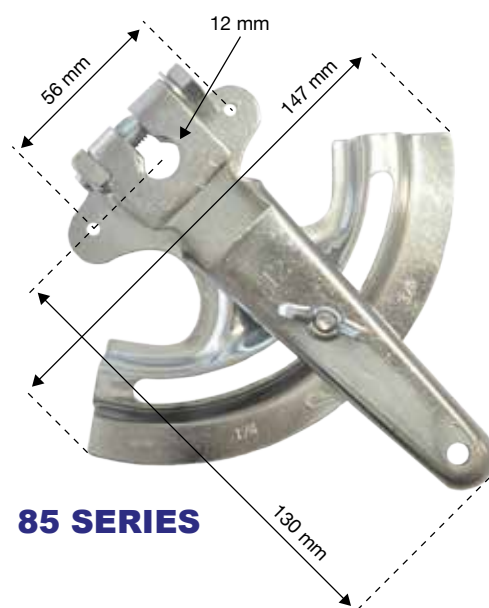
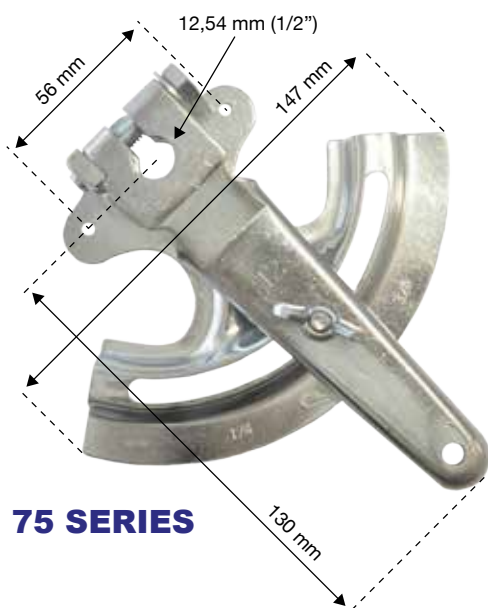
Efficient damper locking is assured by wing nut or star shaped locking nut. Various models to meet all requirement.



**Technical specification**

					
Shaft	12,54 mm (1/2")	<b>RG-75</b>	<b>RG-175-K</b>	<b>RG-275-S</b>	<b>RG-375-K-S</b>
	12 mm	<b>RG-85</b>	<b>RG-185-K</b>	<b>RG-285-S</b>	<b>RG-385-K-S</b>
Ball drive on handle end			✓		✓
Star shaped nut				✓	✓

**Dimensions**



Information contained herein is based on careful tests and experience. It reflects our knowledge and is for guidance purpose only. It is given in good faith and user should ensure that the product is fit for purpose before any application. The quoted values are average and should not be taken as maximum or minimum values for specific purposes. Manufacturer and distributor are not responsible for any non-recommended use or consequential damage.

## Application

