

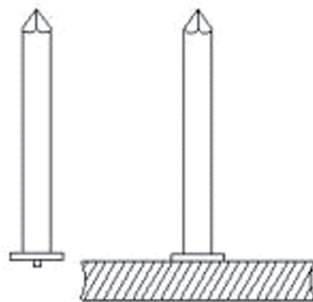
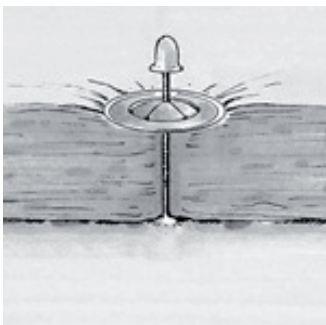
## General description

Quick and strong welding of pin on metallic surfaces.

Capacity discharge welding machine CDW-72 with a contact gun (K-PCP-72) is needed.

Pin lengths ranging from 30 to 200 mm (other on request), for dim. over 70 mm extension is needed (STATIV-PCP-72)

Locking washers in various diameters



## Technical specifications

PINS	DIAMETER	3 mm (2 mm on request)
	STANDARD LENGTHS	from 30 to 200 mm
	MATERIAL	copper coated steel (stainless steel and aluminum on request)
LOCKING WASHERS	EXTERNAL DIAMETER	30 or 38 mm
	THICKNESS	0,35 - 0,36 mm
	MATERIAL	galvanized spring steel

## Application



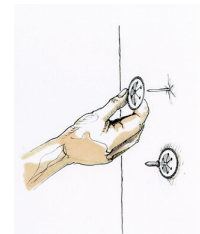
Insert the SP3-ER pin in the adapter of the gun of the CDW-72 welding machine. Adjust the voltage according to the material and its thickness.



Press the head of the gun (K-PCP-72) at right angle to the sheet metal for first contact and pull the trigger switch. For dimension over 70 mm, an extension is needed (STATIV-PCP-72).



Adapter's diameters: 2 or 3 mm.



Impale the insulation material on the pins. Secure with CL locking washers.