

General description

The platform frame is an assembly of 4 square feet, 4 leg assemblies, 2 side rails, 2 sliding arms and their hardware.

It allows to build up, quickly and easily, a square frame of 1 m x 1,15 m, and using the platform extension to add further extension frames XPF in any direction.

It is designed to support air conditioning and refrigeration equipment on flat roofs.

Delivered with screws and struts

A perfect levelling guaranteed thanks to its adjustable legs : from 250 mm to 450 mm.

Easy and low-cost system for every kind of roof installation.

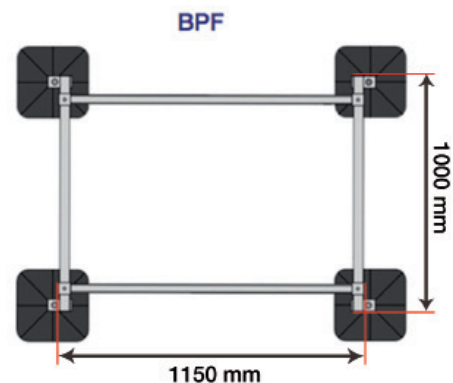


Technical description

BPF-1110 PLATFORM BASE

consists of: 4 square feet
 4 leg assemblies
 2 side rails
 2 sliding arms
 Hardware & end caps

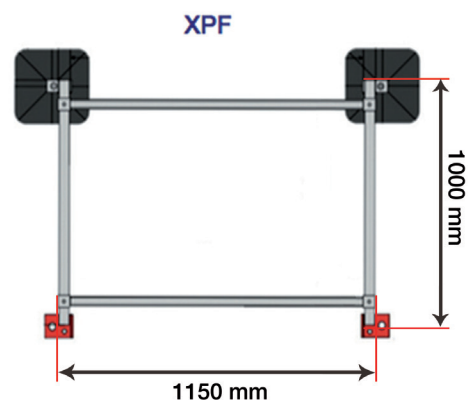
Maximum recommended load : 700 Kg
To be installed in temperatures ranging from -30°C to 80°C
U.V. resistant
Weight of product : 32Kg



XPF-1110 PLATFORM EXTENSION

consists of: 2 square feet
 2 leg assemblies
 2 side rails
 2 sliding arms
 Hardware & end caps

Maximum recommended load: 350 Kg
To be installed in temperatures ranging from -30°C to 80°C
U.V. resistant
Weight of product : 26 Kg

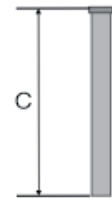
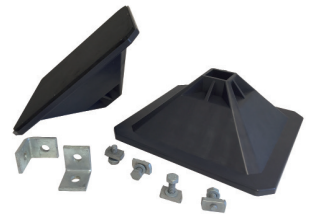


Information contained herein is based on careful tests and experience. It reflects our knowledge and is for guidance purpose only. It is given in good faith and user should ensure that the product is fit for purpose before any application. The quoted values are average and should not be taken as maximum or minimum values for specific purposes. Manufacturer and distributor are not responsible for any non-recommended use or consequential damage.

2016.10.12

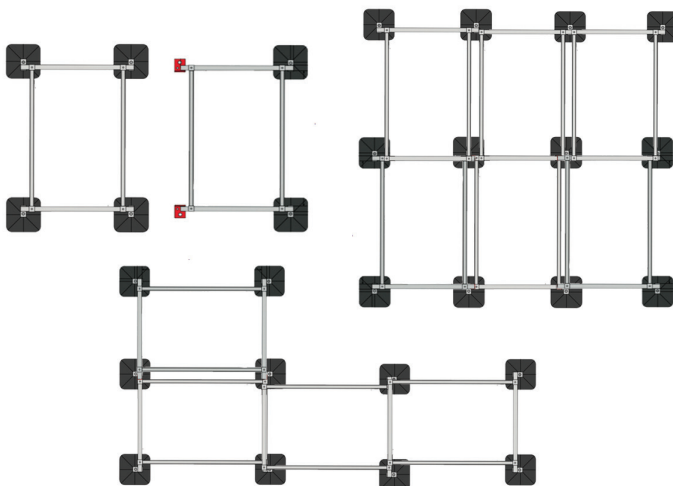
Technical specifications

PARTS	DESCRIPTION
SQUARE FOOT	Fiberglass reinforced polypropylene 300 x 300 mm Suitable for 41 x 41 mm rails Antivibration pad Preserves the waterproofing membrane of the roof
STANDARD LEG ASSEMBLY	1. Hot dip galvanized square tube 41mm x 41mm x 2.5 mm x 160 mm Closed on one end with welded square nut M.24 metric 3 2. Hot dip galvanized threaded rod M.24 metric 3 x 250 mm 3. Hot dip galvanized support bracket *for Platform Base : width 50mm 1 hole diameter 25 mm & 1 hole diameter 11 mm *for Platform Extension : width 100 mm 2 holes diameter 25 mm & 2 holes diameter 11 mm 4. Three hot dip galvanized nuts and washers M.24 metric 3, to be tightened with wrench n° 36 Supplied pre-assembled
EXTENSION LEG (OPTIONAL)	Hot dip galvanized square tube 41mm x 41mm x 2.5 mm x 600 mm
SIDE RAIL	Hot dip galvanized steel rail 41 x 41 x 2,5 x 1000 mm To be assembled open-side down
SLIDING ARM	Hot dip galvanized steel rail 41 x 41 x 2.5 x 1150 mm, with 2 welded open cages on each end To be assembled open-side up
HARDWARE	4 channel nuts M.10 4 hexagonal head screws M.10 x 30 mm 4 washers M.10



Welding made according to norm : EN ISO 9606 - 1 : 2013
 Galvanization made according to norm : EN ISO 1461 : 1999

Application



Information contained herein is based on careful tests and experience. It reflects our knowledge and is for guidance purpose only. It is given in good faith and user should ensure that the product is fit for purpose before any application. The quoted values are average and should not be taken as maximum or minimum values for specific purposes. Manufacturer and distributor are not responsible for any non-recommended use or consequential damage.

2016.10.12