

# T - 333 - CTP-1

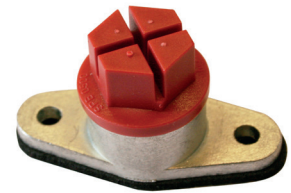
INSTRUMENT TEST PORT



## General description

The instrument test port is simple, efficient and is a cost effective way of allowing easy measurements inside air ducting.

It consists of a Zamac body casting which is internally threaded to accept the PP plug. Fitted with its sponge neoprene gasket, the assembly is airtight.



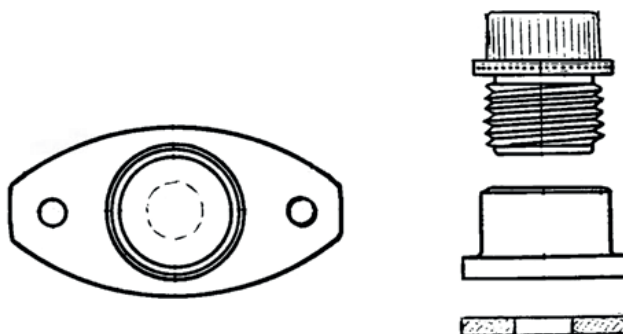
## Technical description

- 19 mm (3/4") opening diameter
- Accommodates 25 mm (1") insulation materials
- Withstands continuous temperature of 72°C (165°F) and 100°C (215°F) intermittent

## Technical specifications

- PP Leakproof plug
- Suitable for high velocity systems
- Sponge neoprene gasket supplied
- To install with self-drilling screws
- Economical fitting
- Unaffected by most chemicals

## Application



Information contained herein is based on careful tests and experience. It reflects our knowledge and is for guidance purpose only. It is given in good faith and user should ensure that the product is fit for purpose before any application. The quoted values are average and should not be taken as maximum or minimum values for specific purposes. Manufacturer and distributor are not responsible for any non-recommended use or consequential damage.

2016.06.20