

General description

The beam clamps are made to fix and adjust threaded rods onto beams.

• **CTKN**

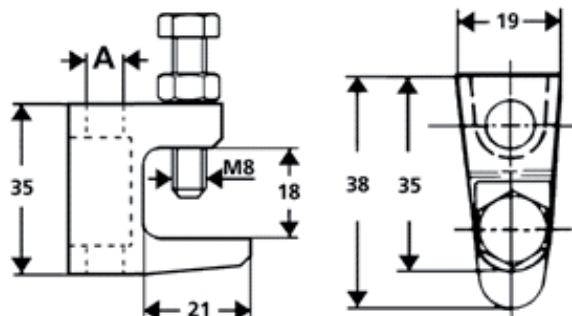
The suspension clamps are made of cast iron, zinc plated.

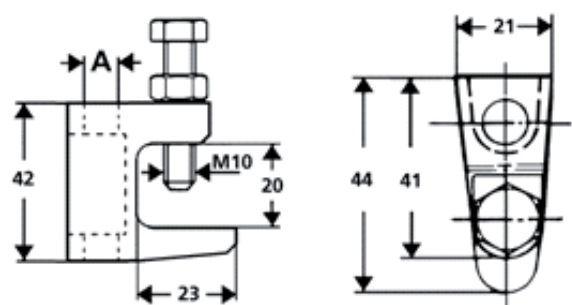
Casting tolerance according to DIN 1684 GTA / 17

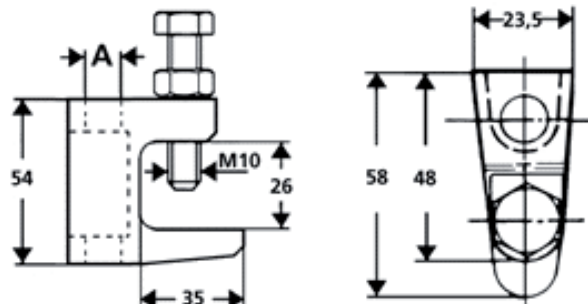
Hexagonal head screws DIN 933 8.8, threaded end with cup point (CP) according to EN ISO 4753 and locknut DIN 439



Technical specifications

DESCRIPTION	A	MAX. LOAD		
CTKN8 - M8	Threaded M8	120 Kg		
CTKN8 - 9	Dia. 9 mm	120 Kg		

DESCRIPTION	A	MAX. LOAD		
CTKN10 - M10	Threaded M10	250 Kg		
CTKN10 - 11	Dia. 11 mm	250 Kg		

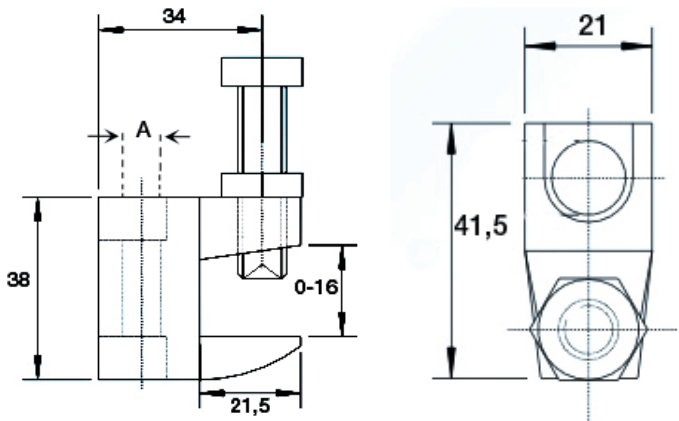
DESCRIPTION	A	MAX. LOAD		
CTK12 - M12	Threaded M12	350 Kg		
CTK12 - 13	Dia. 13 mm	350 Kg		

Information contained herein is based on careful tests and experience. It reflects our knowledge and is for guidance purpose only. It is given in good faith and user should ensure that the product is fit for purpose before any application. The quoted values are average and should not be taken as maximum or minimum values for specific purposes. Manufacturer and distributor are not responsible for any non-recommended use or consequential damage. 2016.10.12

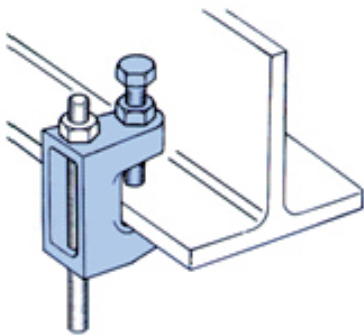
• **CTKN-SS**

The suspension clamps in stainless steel.

Hexagonal head screws DIN 933 M10 stainlesssteel 304, threaded end with cup point (CP) according to EN ISO 4753 and locknut DIN 439 stainless steel 304

DESCRIPTION	A	MAX. LOAD	
CTK - SS- 9	Dia. 9 mm	100 Kg	
CTK - SS - 11	Dia. 11 mm	100 Kg	
CTK - SS - 13	Dia. 13 mm	100 Kg	

Application:



Information contained herein is based on careful tests and experience. It reflects our knowledge and is for guidance purpose only. It is given in good faith and user should ensure that the product is fit for purpose before any application. The quoted values are average and should not be taken as maximum or minimum values for specific purposes. Manufacturer and distributor are not responsible for any non-recommended use or consequential damage. 2016.10.12