

T - 4660 - BRA

SUSPENSION BRACKETS



General description

The suspension brackets are fast, reliable and economical solutions for fixing a duct system.

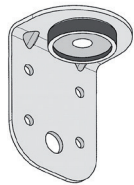
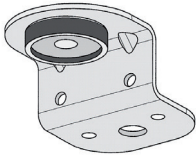
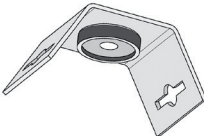
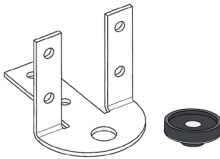
Allow easy adapting to all situations and all ducts rectangular or circular mounting.

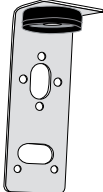
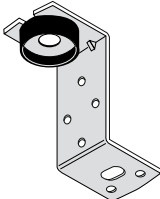
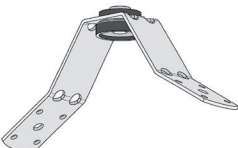

They are made out of galvanized steel.

They are supplied with a rubber damper suitable for a threaded rod of 8 mm or 10 mm.



Technical specifications

	L	Z	U	T
				
HEIGHT (mm)	64	29	35	50
WIDTH (mm)	50	50	50	58
THICKNESS (mm)	2	2	2	2
MAX. LOAD (kg)	40	40	40	40
SUITABLE FOR	M8	M8	M8	M8

	L-25	Z-25	W	V
				
HEIGHT (mm)	95	62	for round ducting	for steel roofing
WIDTH (mm)	30	32	30	30
THICKNESS (mm)	2,5	2,5	2	2
MAX. LOAD (kg)	40	40	40	40
SUITABLE FOR	M10	M10	M10	M10

Information contained herein is based on careful tests and experience. It reflects our knowledge and is for guidance purpose only. It is given in good faith and user should ensure that the product is fit for purpose before any application. The quoted values are average and should not be taken as maximum or minimum values for specific purposes. Manufacturer and distributor are not responsible for any non-recommended use or consequential damage. 2016.04.14