

General description

The rubber vibration dampers (synthetic elastomer) can be used alone or in combination with suspension brackets.

Used as anti-vibration protection of the air duct, they absorb the vibration transmissions.

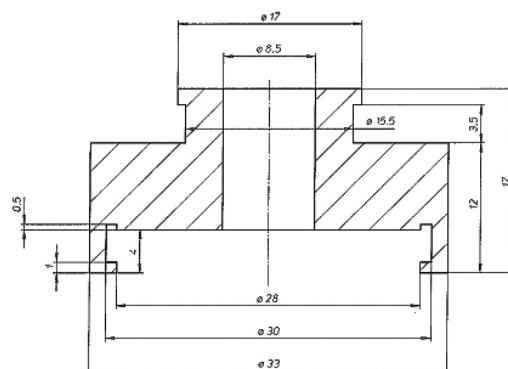
The vibration dampers are delivered «ready to use»: the washer is pre-assembled and mounted in the rubber element.



Technical specifications

SILENTBLOCK

Material	Rubber (synthetic elastomer)
Hardness	55 Shore A
Color	Black
Height	17 mm
External diameter	33 mm
Max. Load (Kg)	35 Kg



WASHERS

Material	Galvanized Steel
External diameter	30 mm

